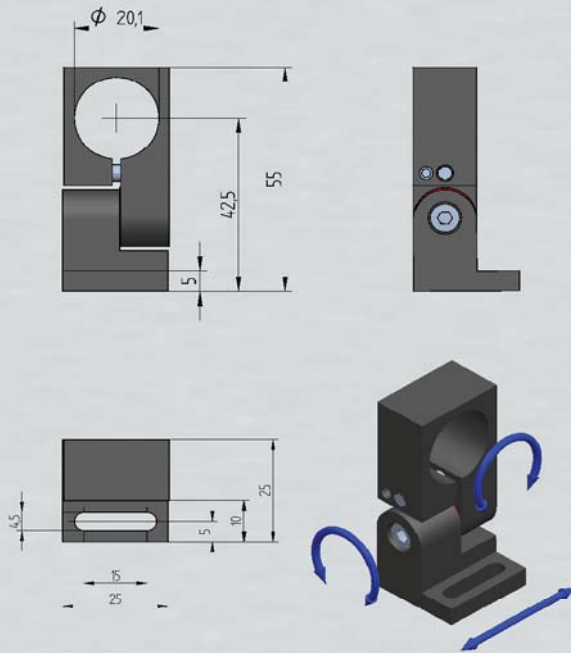


H2 Mounting

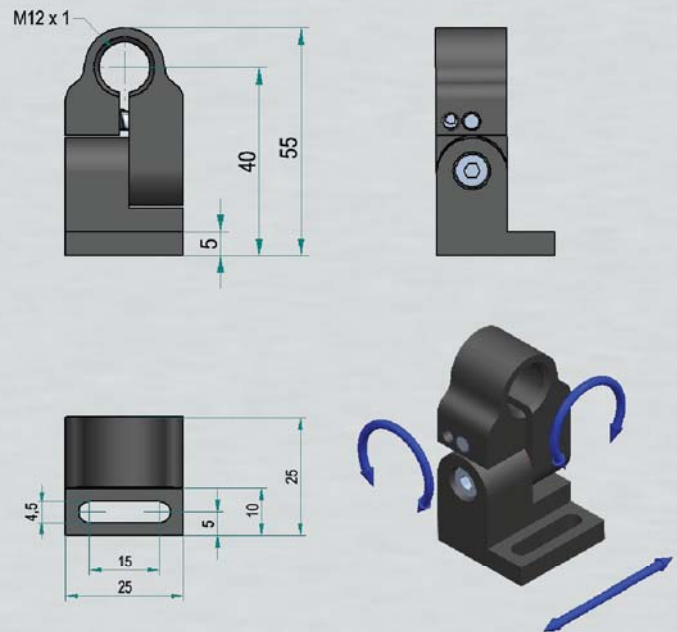
H2-20

Tilting aluminium mounting
for \varnothing 20mm laser.



H2-M12

Tilting aluminium mounting
for all lasers with M12 thread.



H2-40

Tilting aluminium mounting
for \varnothing 40mm lasers.

